

**KEY FEATURES**

- Power Module for PCB Mountable
- 2:1 & 4:1 Wide Input Range
- Regulated Output
- Low Ripple and Noise
- Screw Terminal For Optional
- Vout Trim and ON/OFF Control Function
- 3-Years Product Warranty


**ELECTRICAL SPECIFICATIONS**

Model No. ( Single Output )	SU20-12-3.3S	SU20-12-5S	SU20-12-12S	SU20-12-15S	SU20-12-24S
Input Voltage (V.DC.)	12V (9-18V)	12V (9-18V)	12V (9-18V)	12V (9-18V)	12V (9-18V)
Efficiency	76%	78%	81%	82%	83%
capacitor Load max	28000 $\mu$ F	10000 $\mu$ F	2000 $\mu$ F	755 $\mu$ F	330 $\mu$ F

Model No. ( Single Output )	SU20-24-3.3S	SU20-24-5S	SU20-24-12S	SU20-24-15S	SU20-24-24S
Input Voltage (V.DC.)	24V (18-36V)	24V (18-36V)	24V (18-36V)	24V (18-36V)	24V (18-36V)
Efficiency	78%	81%	86%	85%	88%
capacitor Load max	28000 $\mu$ F	10000 $\mu$ F	2000 $\mu$ F	755 $\mu$ F	330 $\mu$ F

Model No. ( Single Output )	SU20-24F-3.3S	SU20-24F-5S	SU20-24F-12S	SU20-24F-15S	SU20-24F-24S
Input Voltage (V.DC.)	24V (10-40V)	24V (10-40V)	24V (10-40V)	24V (10-40V)	24V (10-40V)
Efficiency	82%	84%	82%	82%	82%
capacitor Load max	18000 $\mu$ F	960 $\mu$ F	750 $\mu$ F	370 $\mu$ F	160 $\mu$ F

Model No. ( Single Output )	SU20-48-3.3S	SU20-48-5S	SU20-48-12S	SU20-48-15S	SU20-48-24S
Input Voltage (V.DC.)	48V (36-75V)	48V (36-75V)	48V (36-75V)	48V (36-75V)	48V (36-75V)
Efficiency	76%	82%	84%	85%	87%
capacitor Load max	28000 $\mu$ F	10000 $\mu$ F	2000 $\mu$ F	755 $\mu$ F	330 $\mu$ F

Model No. ( Single Output )	SU20-48F-3.3S	SU20-48F-5S	SU20-48F-12S	SU20-48F-15S	SU20-48F-24S
Input Voltage (V.DC.)	48V (18-75V)	48V (18-75V)	48V (18-75V)	48V (18-75V)	48V (18-75V)
Efficiency	83%	85%	82%	82%	82%
capacitor Load max	18000 $\mu$ F	960 $\mu$ F	750 $\mu$ F	370 $\mu$ F	160 $\mu$ F

Model No. ( Dual · Triple Output )	SU20-12-5D	SU20-12-12D	SU20-12-15D	SU20-12-5S12D	SU20-12-5S15D
Input Voltage (V.DC.)	12V (9-18V)	12V (9-18V)	12V (9-18V)	12V (9-18V)	12V (9-18V)
Efficiency	77%	81%	82%	79%	77%
capacitor Load max	$\pm$ 3000 $\mu$ F	$\pm$ 680 $\mu$ F	$\pm$ 330 $\mu$ F	6000/ $\pm$ 150 $\mu$ F	4000/ $\pm$ 150 $\mu$ F

Model No. ( Dual · Triple Output )	SU20-24-5D	SU20-24-12D	SU20-24-15D	SU20-24-5S12D	SU20-24-5S15D
Input Voltage (V.DC.)	24V (18-36V)	24V (18-36V)	24V (18-36V)	24V (18-36V)	24V (18-36V)
Efficiency	82%	84%	85%	83%	81%
capacitor Load max	$\pm$ 3000 $\mu$ F	$\pm$ 680 $\mu$ F	$\pm$ 330 $\mu$ F	6000/ $\pm$ 150 $\mu$ F	4000/ $\pm$ 150 $\mu$ F

Model No. ( Dual · Triple Output )	SU20-24F-5D	SU20-24F-12D	SU20-24F-15D
Input Voltage (V.DC.)	24V (10-40V)	24V (10-40V)	24V (10-40V)
Efficiency	81%	82%	82%
capacitor Load max	$\pm$ 4800 $\mu$ F	$\pm$ 370 $\mu$ F	$\pm$ 270 $\mu$ F

Model No. ( Dual · Triple Output )	SU20-48-5D	SU20-48-12D	SU20-48-15D	SU20-48-5S12D	SU20-48-5S15D
Input Voltage (V.DC.)	48V (36-75V)	48V (36-75V)	48V (36-75V)	48V (36-75V)	48V (36-75V)
Efficiency	83%	85%	84%	83%	84%
capacitor Load max	$\pm$ 3000 $\mu$ F	$\pm$ 680 $\mu$ F	$\pm$ 330 $\mu$ F	6000/ $\pm$ 150 $\mu$ F	4000/ $\pm$ 150 $\mu$ F

Model No. ( Dual · Triple Output )	SU20-48F-5D	SU20-48F-12D	SU20-48F-15D
Input Voltage (V.DC.)	48V (18-75V)	48V (18-75V)	48V (18-75V)
Efficiency	81%	83%	82%
capacitor Load max	$\pm$ 4800 $\mu$ F	$\pm$ 370 $\mu$ F	$\pm$ 270 $\mu$ F

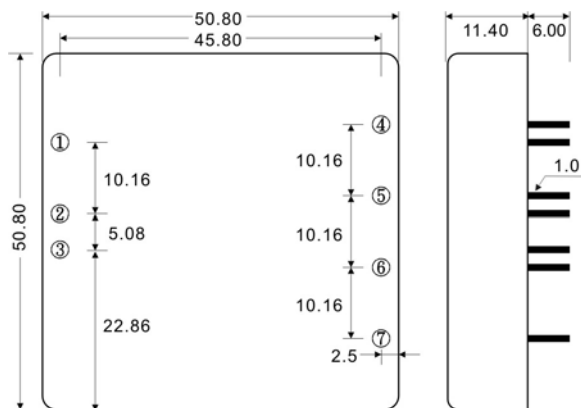
**SU20 SERIES**
**20 Watts**

Model No. ( Single Output )		SU20-12-3.3S SU20-24-3.3S SU20-24F-3.3S SU20-48-3.3S SU20-48F-3.3S	SU20-12-5S SU20-24-5S SU20-24F-5S SU20-48-5S SU20-48F-5S	SU20-12-12S SU20-24-12S SU20-24F-12S SU20-48-12S SU20-48F-12S	SU20-12-15S SU20-24-15S SU20-24F-15S SU20-48-15S SU20-48F-15S	SU20-12-24S SU20-24-24S SU20-24F-24S SU20-48-24S SU20-48F-24S
Max Output Wattage (W)		13.2W	20W	20W	20W	20W
Input	Input Filter	$\pi$ type				
Output	Voltage (V.DC.)	3.3	5	12	15	24
	Voltage Accuracy	$\pm 2\%$				
	Current (mA) max	4000	4000	1670	1330	833
	Minimum Load	0%				
	Line Regulation (LL-HL) (typ.)	$\pm 0.5\%$				
	Load Regulation (10-100%) (typ.)	$\pm 0.5\%$				
	Ripple	$< 0.2\%$ Vout +20mV max (Vp-p)				
	Noise	$< 0.5\%$ Vout +50mV max (Vp-p)				
	Trim	$\pm 10\%$				
Protection	Switching Frequency	2:1 Range :200KHz		4:1 Range :250KHz		
	Over Power Protection	Works over 120% of rating and recovers automatically.				
	Over Voltage Protection	Zener diode clamp				
Isolation	Short Circuit Protection	Hiccup, auto-recovery				
	Voltage	1600 VDC.				
	Resistance	$10^8$ ohms				
Environment	Capacitance	1000 pF				
	Operating Temperature	2:1 Range: $-25^{\circ}\text{C} \dots +100^{\circ}\text{C}$ (with derating)		4:1 Range: $-25^{\circ}\text{C} \dots +70^{\circ}\text{C}$ (with derating)		
	Storage Temperature	$-55^{\circ}\text{C} \dots +105^{\circ}\text{C}$				
	Case Temperature	$+100^{\circ}\text{C}$ max.				
	Temperature Coefficient	$\pm 0.02\%$ Per $^{\circ}\text{C}$				
	Humidity	95% RH				
Physical	MTBF	$> 550,000$ h @ $25^{\circ}\text{C}$ (MIL-HDBK-217F)				
	Dimension (L x W x H)	2.0 x 2.0 x 0.45 Inches ( 50.8 x 50.8 x 11.4 mm ) Tolerance $\pm 0.5$ mm				
	Case Material	Five-side shielded Aluminum with Non-Conductive base, Black Anodize				
	Weight	70 g				
Safety	Agency Approvals	CE (Pending)				
EMC	EMI (Conducted & Radiated Emission)	EN 55022 class A				

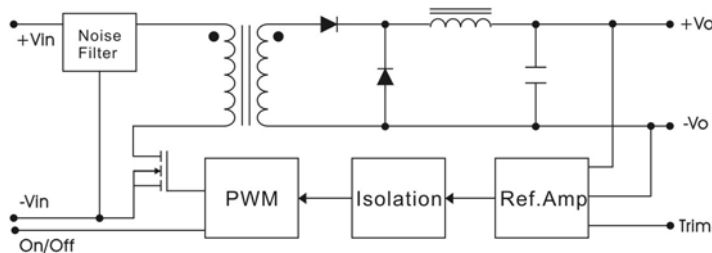
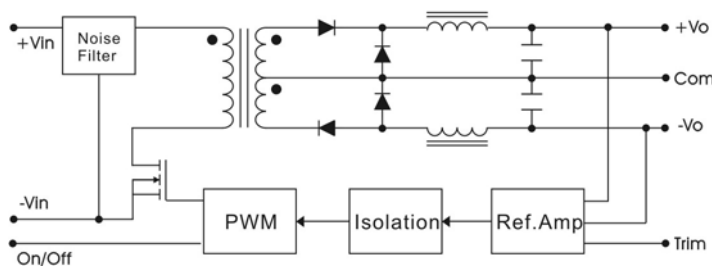
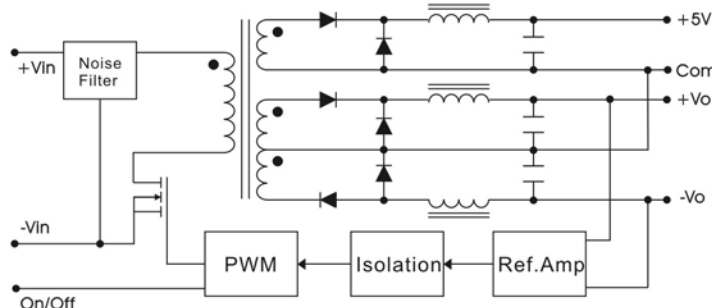
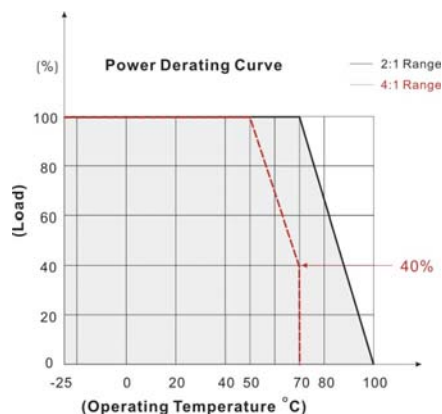
Model No. ( Dual · Triple Output )		SU20-12-5D SU20-24-5D SU20-24F-5D SU20-48-5D SU20-48F-5D	SU20-12-12D SU20-24-12D SU20-24F-12D SU20-48-12D SU20-48F-12D	SU20-12-15D SU20-24-15D SU20-24F-15D SU20-48-15D SU20-48F-15D	SU20-12-5S12D SU20-24-5S12D SU20-48-5S12D	SU20-12-5S15D SU20-24-5S15D SU20-48-5S15D
Max Output Wattage (W)		20W	20W	20W	20W	20W
Input	Input Filter	$\pi$ type				
Output	Voltage (V.DC.)	$\pm 5$	$\pm 12$	$\pm 15$	5/ $\pm 12$	5/ $\pm 15$
	Voltage Accuracy	$\pm 2\%$				
	Current (mA) max	$\pm 2000$	$\pm 833$	$\pm 660$	2500/ $\pm 300$	2500 / $\pm 250$
	Minimum Load	0%				
	Line Regulation (LL-HL) (typ.)	$\pm 0.5\%$				
	Load Regulation (10-100%) (typ.)	$\pm 3\%$				
	Load Cross Regulation (min:25%load) (typ.)	Triple(main): $\pm 2\%$ Triple(auxiliary): $\pm 5\%$				
	Ripple	$< 0.2\%$ Vout +20mV max (Vp-p)				
	Noise	$< 0.5\%$ Vout +50mV max (Vp-p)				
Protection	Trim	$\pm 10\%$				None
	Switching Frequency	2:1 Range :200KHz		4:1 Range :250KHz		
	Over Power Protection	Works over 120% of rating and recovers automatically.				
Isolation	Over Voltage Protection	Zener diode clamp				
	Short Circuit Protection	Hiccup, auto-recovery				
	Voltage	1600 VDC.				
Environment	Resistance	$10^8$ ohms				
	Capacitance	1000 pF				
	Operating Temperature	2:1 Range: $-25^{\circ}\text{C} \dots +100^{\circ}\text{C}$ (with derating)		4:1 Range: $-25^{\circ}\text{C} \dots +70^{\circ}\text{C}$ (with derating)		
	Storage Temperature	$-55^{\circ}\text{C} \dots +105^{\circ}\text{C}$				
	Case Temperature	$+100^{\circ}\text{C}$ max.				
	Temperature Coefficient	$\pm 0.02\%$ Per $^{\circ}\text{C}$				
Physical	Humidity	95% RH				
	MTBF	$> 550,000$ h @ $25^{\circ}\text{C}$ (MIL-HDBK-217E)				
	Dimension (L x W x H)	2.0 x 2.0 x 0.45 Inches ( 50.8 x 50.8 x 11.4 mm ) Tolerance $\pm 0.5$ mm				
	Case Material	Five-side shielded Aluminum with Non-Conductive base, Black Anodize				
Safety	Agency Approvals	CE (Pending)				
EMC	EMI (Conducted & Radiated Emission)	EN 55022 class A				

**NOTE**

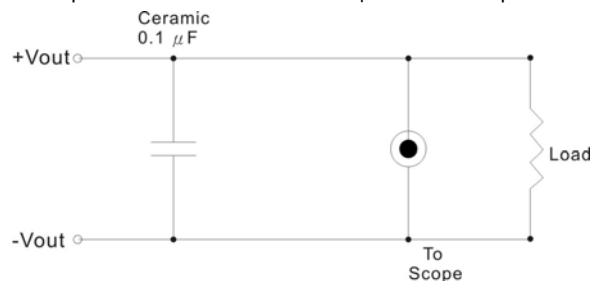
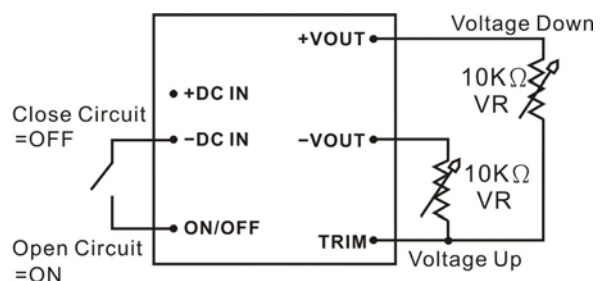
1. All specifications valid at normal input voltage, full load and +25°C after warm-up time unless otherwise stated.
2. Ripple & Noise are measured at 20MHz of bandwidth with 0.1uF & 47uF parallel capacitor.
3. Please refer to our PDF file "DC-DC Application" on our website: [www.archcorp.com.tw](http://www.archcorp.com.tw)

**MECHANICAL DIMENSION ( Top View )**


PIN#	Single	Dual	Triple
1	ON / OFF	ON / OFF	ON / OFF
2	-VIN	-VIN	-VIN
3	+VIN	+VIN	+VIN
4	TRIM	TRIM	-VOUT
5	-VOUT	-VOUT	COMMON
6	+VOUT	COMMON	+5V OUT
7	NC	+VOUT	+VOUT

**BLOCK DIAGRAM**
**Single Output**

**Dual Output**

**Triple Output**

**DERATING**

**OUTPUT NOISE**

The output noise is measured with 0.1μF tantalum capacitor.

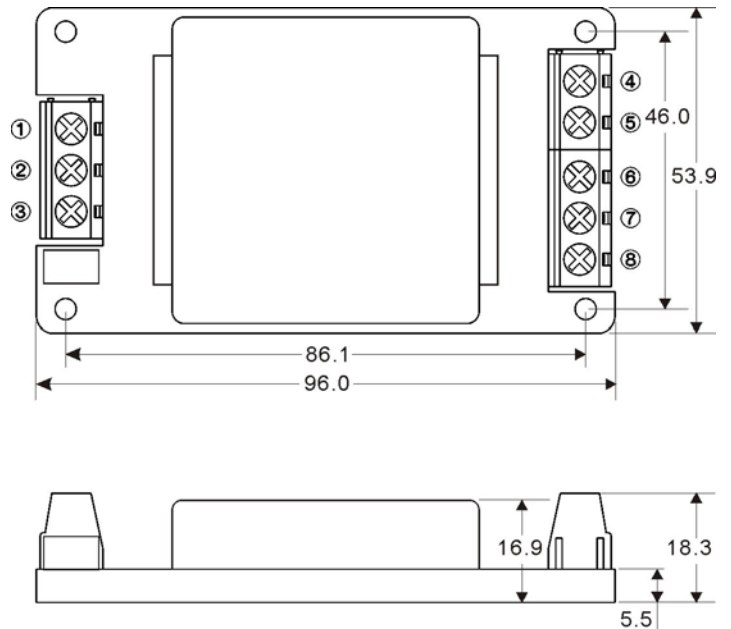

**REMOTE ON/OFF CONTROL & TRIM**


## SCREW TERMINAL

## SU20-A2



PIN#	Single	Dual	Triple
1	CTRL	CTRL	CTRL
2	-DC IN	-DC IN	-DC IN
3	+DC IN	+DC IN	+DC IN
4.	TRIM	TRIM	-DC OUT
5	-DC OUT	-DC OUT	COMMON
6	NO CONNECT	NO CONNECT	NO CONNECT
7	+DC OUT	COMMON	+5V OUT
8	NO CONNECT	+DC OUT	+DC OUT



## SU20-A5



PIN#	Single	Dual	Triple
1	CTRL	CTRL	CTRL
2	-DC IN	-DC IN	-DC IN
3	+DC IN	+DC IN	+DC IN
4.	TRIM	TRIM	-DC OUT
5	-DC OUT	-DC OUT	COMMON
6	NO CONNECT	NO CONNECT	NO CONNECT
7	+DC OUT	COMMON	+5V OUT
8	NO CONNECT	+DC OUT	+DC OUT

